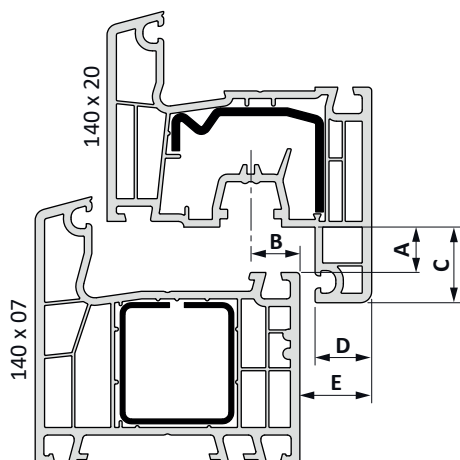




1-sash designs

Profile section for material combination 140023 / 140002



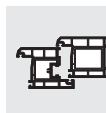
System information

A	Airgap	12,0 ^{+1,0}
B	Groove axis	13,0
C	Rebate width	20,0
D	Rebate thickness	15,0
E	Rebate height	19,0
	Spindle length (mm)	35
	Drill.centre.line SL+EL (Dim. S)	20,0

Further valid material combinations for this profile section on request. All dimensions are nominal dimensions, specified in mm. They already include general tolerances according to DIN ISO 2768-1.

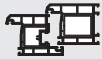
Fittings

Code	Description	Material number	Jigs	TAF	TIP	FAV
Generally required fitting						
TRSM	striker plate S 56 A1900	meshed	TRSM0060-...	✓	✓	✓
TRSN	striker plate S 56 H A1900	meshed	TRSN0040-...	✓	✓	
FRSB	striker plate S 56 A1900	meshed	TRSM0060-...	✓	✓	✓
FRSB	striker plate 56 A1906	compression minus	707265	✓	✓	✓
FRSA	striker plate S 56 A1900	meshed	TRSM0060-...			✓
FRSA	striker plate A1906	compression minus	712177			✓
TRSK	striker plate S-RS 3SL A2400	meshed	TRSK0520-...	✓	✓	✓
TRSK01	striker plate S-RS 2SL A2400	meshed	TRSK0540-...	✓	✓	
TRSR	striker plate S+RS 3SL A2400	meshed	TRSR0100-...	✓	✓	✓
TRVS	striker plate S-RS/KS A2400 lh.	meshed	TRVS0072-...	✓	✓	✓
TRVS	striker plate S-RS/KS A2400 rh.	meshed	TRVS0071-...	✓	✓	✓
TRVS01	striker plate S-RS/KS-VS/BS A2400 lh.	meshed	TRVS8072-...	✓	✓	✓
TRVS01	striker plate S-RS/KS-VS/BS A2400 rh.	meshed	TRVS8071-...	✓	✓	✓
TRKV	tilt striker plate A1900 lh.	meshed	TRKV0092-...	✓	✓	✓
TRKV	tilt striker plate A1900 rh.	meshed	TRKV0091-...	✓	✓	✓
FRKA	tilt lock bearing S-ES FH A2400	meshed	706428	✓	✓	✓
FRKB	tilt lock bearing S-ES FH TBT A2400 lh.	meshed	721636	✓	✓	✓
FRKB	tilt lock bearing S-ES FH TBT A2400 rh.	meshed	721629	✓	✓	✓
TRKF	tilt lock bearing 56 S-RS A2400	meshed	TRKF0030-...	✓	✓	
TRAL	run-up FH A2860	meshed	TRAL0020-...	✓	✓	✓
TRAL01	run-up plate FH 13 13	standard	TFFH0060-...	✓	✓	
TRAL02	run up plate 13	standard	TFFH0080-...	✓		
FMFH	bag sash lift S-ES 13	standard	284193			✓
TEUL08	corn.dr. VSU/K56+ FH FBS 1S1RS 13 lh.	standard	TEUL5062-...	✓		
TEUL08	corn.dr. VSU/K56+ FH FBS 1S1RS 13 rh.	standard	TEUL5061-...	✓		



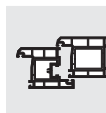
Fittings

Code	Description		Material number	Jigs	TAF	TIP	FAV
Generally required fitting							
TEUL09	corn.dr. VSU/K56+ FH FBS 1S2RS 13 A0055 lh.	standard	TEUL5072-...		✓		
TEUL09	corn.dr. VSU/K56+ FH FBS 1S2RS 13 A0055 rh.	standard	TEUL5071-...		✓		
TEVR01	lock.part VSU/K 56+FBSFH 1S1RS 13 lh.	standard	TEVR1512-...		✓	✓	
TEVR01	lock.part VSU/K 56+FBSFH 1S1RS 13 rh.	standard	TEVR1511-...		✓	✓	
TEVR02	locking part VSO/A FBS 1RS 13 lh.	standard	TEVR0372-...			✓	
TEVR02	locking part VSO/A FBS 1RS 13 rh.	standard	TEVR0371-...			✓	
TEUL11	corn.drive VSO FBS 1RS PVC 13 lh.	standard	TEUL4142-...		✓		
TEUL11	corn.drive VSO FBS 1RS PVC 13 rh.	standard	TEUL4141-...		✓		
TEUL12	corn.drive VSO FBS 2RS PVC 13 lh.	standard	TEUL4252-...		✓		
TEUL12	corn.drive VSO FBS 2RS PVC 13 rh.	standard	TEUL4251-...		✓		
FEUL01	corn.drive FAV VSU 1S FH 13	standard	FEUL1500-...				✓
FMMS	accessories MSP A2860	meshed	FMMS0100-...		✓	✓	✓
FRZL01	frame part SP-S A2400	meshed	TRZL0140-...		✓	✓	✓
ARZC02	striker plate for night vent.	standard	DT013-...		✓	✓	✓
TSZS	crt. additional stay 26/13	standard	TSZS0020-...		✓	✓	✓
TSZS01	comfort stay sz 0 lh.	standard	TSZS0052-...		✓	✓	✓
TSZS01	comfort stay sz 0 rh.	standard	TSZS0051-...		✓	✓	✓
TSZS02	comfort stay sz 1 lh.	standard	TSZS0042-...		✓	✓	✓
TSZS02	comfort stay sz 1 rh.	standard	TSZS0041-...		✓	✓	✓
FRUP01	packer Z A2400	standard	FRUP0320-...	FABL_Z;TARTES	✓	✓	✓
FRZB	snapper A4100	meshed	718292		✓	✓	✓
FFHU	sleeve for countersink 7mm	standard	708644		✓	✓	✓
TRST	striker plate S 56 A1900	meshed	TRSM0060-...		✓	✓	✓
FRUP02	packer RB/FPS A2400	standard	FRUP0170-...	FABLRB;TABLRB	✓	✓	✓
TFFD	pressure piece 13 lh.	standard	TFFD0022-...		✓	✓	✓
TFFD	pressure piece 13 rh.	standard	TFFD0021-...		✓	✓	✓
FRZF01	stop	standard	not necessary		✓	✓	✓
TFAH	anti-lift device 13	standard	TFAH0050-...		✓	✓	
FMBR	accessories friction stay A0600/3	standard	ZMBR0020-...		✓	✓	✓
FRFL	air gap limiter 13 A0760	standard	FRFL0020-...		✓	✓	
TRAU	run-up block A2665	standard	TRAU0430-...		✓	✓	
TRAU	run-up block	basic	TRAU2330-...		✓	✓	
TFBS03	mishandling device RS KF 13 lh.	standard	TFBS0092-...		✓	✓	
TFBS03	mishandling device RS KF 13 rh.	standard	TFBS0091-...		✓	✓	
TFBS02	mishandling device VSU 13 lh.	standard	TFBS0062-...		✓	✓	
TFBS02	mishandling device VSU 13 rh.	standard	TFBS0061-...		✓	✓	
TRFR10	frame part latch/bolt A2400 lh.	meshed	TRFR0252-...		✓		
TRFR10	frame part latch/bolt A2400 rh.	meshed	TRFR0251-...		✓		
TRFR20	frame part latch A2400	meshed	TRFS0290-...		✓		
Hinge side parts Si-line							
TBWB01	stay hinge DH PVC 12/20-13 130 kg	standard	TBWB1050-...		✓	✓	
TBWS01	top stay SF DK DH 12/20-13	standard	TSKS6350-...		✓	✓	
FBWB	stay hinge DH PVC 12/20-13 130 kg	standard	707456				✓
FBSL01	top hinge DH PVC diam.3x3 100 kg		FBSL0010-...		✓	✓	✓



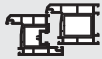
Fittings

Code	Description		Material number	Jigs	TAF	TIP	FAV
Hinge side parts Si-line							
FBSL01	top hinge DH PVC diam.6x3 100 kg		FBSL0080-...	FABLSE	✓	✓	✓
FBSL01	top hinge DH PVC diam.6x8 100 kg		717707	FABLSE	✓	✓	✓
FBSL02	top hinge DH PVC-S diam.6x12 130 kg	standard	FBSL0030-...	FABLSE	✓	✓	✓
FBEL01	bottom hinge PVC diam.6x24/3 100 kg		704592	FABLSE	✓	✓	✓
FBEL01	bottom hinge PVC diam.3x3 100 kg		FBEL0130-...		✓	✓	✓
FBEL01	bottom hinge PVC diam.6x3 100 kg		704608	FABLSE	✓	✓	✓
FBEL01	bottom hinge PVC diam.6x8 100 kg		717691	FABLSE	✓	✓	✓
FBEL02	bottom hinge S-PVC diam.6x12 130 kg	standard	FBEL0120-...	FABLSE	✓	✓	✓
TBEB62	corner hinge PVC diam.6x16/20 100 kg	standard	TBEB6130-...	TABLEB	✓	✓	✓
TBEB63	corner hinge PVC diam.6x16/36 130 kg	standard	TBEB6120-...	TABLEB	✓	✓	✓
TBEB64	corn.hingePVC diam.6x16/20 ADV 100 kg	standard	TBEB6150-...	TABLEB	✓	✓	✓
TBEB65	corn.hingePVC diam.6x16/36 ADV 130 kg	standard	TBEB6140-...	TABLEB	✓	✓	✓
TBFE02	rebate corner hinge PVC 12/20-13 lh. 130 kg	standard	TBFE1022-...		✓	✓	✓
TBFE02	rebate corner hinge PVC 12/20-13 rh. 130 kg	standard	TBFE1021-...		✓	✓	✓
TEUL06	corn.drive BSU 1RS PVC 12/20-13 lh.	standard	TEUL3252-...		✓	✓	
TEUL06	corn.drive BSU 1RS PVC 12/20-13 rh.	standard	TEUL3251-...		✓	✓	
FBFB	tilt sash hinge 12/20-13 50 kg	standard	TBKF6550-...		✓	✓	✓
ZRZM01	frame part MV 13 A1940	meshed	873427		✓	✓	✓
ZFMV01	sash part MV conc. with groove ..	standard	TFMV0020-...		✓	✓	✓
ZRZM02	frame part MV-W 13 A2400	meshed	FRZM0230-...		✓	✓	✓
ZFMV03	sash part MV-W with groove ..	standard	FFMV0050-...		✓	✓	✓
ZMMV01	centre lock 0 degr. one-piece ..	standard	704646		✓	✓	✓
ZMMV02	centre lock 0 degr.	standard	708040		✓	✓	✓
TSKR	stay RB PVC 12/20-13 80 kg	standard	TSKR1050-...		✓	✓	✓
FBSL03	top hinge RB 80 kg	standard	704325	FABLRS	✓	✓	✓
FBDF	turn only hinge RB PVC 12/20-13 80 kg	standard	FBDF1040-...		✓	✓	✓
FBKF	tilt sash hinge PVC 12/20-13 50 kg	standard	704684	FAASAK;FAASAW	✓	✓	✓
FRUP05	packer A1860/1	standard	861974	FABLFP			✓
Hinge side parts TITAN							
TBWB61	stay hinge DH PVC 12/20-13 130 kg	standard	TBWB6050-...		✓	✓	
TBWS61	stay hinge SF DH PVC 12/20-13 80 kg	standard	TBWS6050-...		✓	✓	
TBSL61	top hinge DH PVC diam.3x3 100 kg		TBSL6110-...	TABLESE;FABBBB	✓	✓	
TBSL61	top hinge DH PVC diam.6x3 100 kg		TBSL6120-...	TABLESE	✓	✓	
TBSL61	top hinge DH PVC diam.6x8 100 kg		TBSL6150-...	TABLESE	✓	✓	
TBSL62	top hinge DH PVC diam.6x24 130 kg		TBSL6140-...	TABLESE	✓	✓	
TBEL01	bottom hinge PVC diam. 3x3/3 100 kg		TBEL6110-...	TABLESE;FABBBB	✓	✓	
TBEL01	bottom hinge PVC diam.6x3/3 100 kg		TBEL6130-...	TABLESE	✓	✓	
TBEL01	bottom hinge PVC diam.6x3/8 100 kg		TBEL6140-...	TABLESE	✓	✓	
TBEL02	bottom hinge PVC diam.6x3/24 150 kg		TBEL6120-...	TABLESE	✓	✓	
TBEB62	corner hinge PVC diam.6x16/20 100 kg	standard	TBEB6130-...	TABLEB	✓	✓	
TBEB63	corner hinge PVC diam.6x16/36 130 kg	standard	TBEB6120-...	TABLEB	✓	✓	
TBEB64	corn.hingePVC diam.6x16/20 ADV 100 kg	standard	TBEB6150-...	TABLEB	✓	✓	
TBEB65	corn.hingePVC diam.6x16/36 ADV 130 kg	standard	TBEB6140-...	TABLEB	✓	✓	
TBFE02	rebate corner hinge PVC 12/20-13 lh. 130 kg	standard	TBFE1022-...		✓	✓	



Fittings

Code	Description		Material number	Jigs	TAF	TIP	FAV
Hinge side parts TITAN							
TBFE02	rebate corner hinge PVC 12/20-13 rh. 130 kg	standard	TBFE1021-...		✓	✓	
TEUL06	corn.drive BSU 1RS PVC 12/20-13 lh.	standard	TEUL3252-...		✓	✓	
TEUL06	corn.drive BSU 1RS PVC 12/20-13 rh.	standard	TEUL3251-...		✓	✓	
TSAD61	stay arm DF TITAN PVC 12/20-13	standard	TSAB6050-...		✓	✓	
TBFB	sash hinge PVC 12/20-13	standard	TBFB6050-...		✓	✓	
ZRZM01	frame part MV 13 A1940	meshed	873427		✓	✓	
ZFMV01	sash part MV conc. with groove ..	standard	TFMV0020-...		✓	✓	
ZRZM02	frame part MV-W 13 A2400	meshed	FRZM0230-...		✓	✓	
ZFMV03	sash part MV-W with groove ..	standard	FFMV0050-...		✓	✓	
ZMMV01	centre lock 0 degr. one-piece ..	standard	704646		✓	✓	
ZMMV02	centre lock 0 degr.	standard	708040		✓	✓	
TSKR	stay RB PVC 12/20-13 80 kg	standard	TSKR1050-...		✓	✓	
FBSL03	top hinge RB 80 kg	standard	704325	FABLSR	✓	✓	
FBDF	turn only hinge RB PVC 12/20-13 80 kg	standard	FBDF1040-...		✓	✓	
TBKF	tilt sash hinge PVC 12/20-13 50 kg	standard	TBKF6050-...	FAASAK;FAASAW	✓	✓	
Hinge side parts axcent 24+							
TSAV41	stay arm sz 1 AX 30/13 lh.	standard	TSAV4212-...	TABLX1;TABLX2	✓	✓	✓
TSAV41	stay arm sz 1 AX 30/13 rh.	standard	TSAV4211-...	TABLX1;TABLX2	✓	✓	✓
TSAV42	stay arm sz 2+3 AX 30/13 lh.	standard	TSAV4222-...	TABLX1;TABLX2	✓	✓	✓
TSAV42	stay arm sz 2+3 AX 30/13 rh.	standard	TSAV4221-...	TABLX1;TABLX2	✓	✓	✓
TSAV44	stay arm sz 4 AX 30/13 lh.	standard	TSAV4232-...	TABLX1;TABLX2	✓	✓	✓
TSAV44	stay arm sz 4 AX 30/13 rh.	standard	TSAV4231-...	TABLX1;TABLX2	✓	✓	✓
TSAV45	stay arm sz 5 AX 30/13 lh.	standard	TSAV4242-...	TABLX1;TABLX2	✓	✓	✓
TSAV45	stay arm sz 5 AX 30/13 rh.	standard	TSAV4241-...	TABLX1;TABLX2	✓	✓	✓
TSAV46	stay arm DF AX 30/13 lh.	standard	TSAV4292-...	TABLX1;TABLX2	✓	✓	✓
TSAV46	stay arm DF AX 30/13 rh.	standard	TSAV4291-...	TABLX1;TABLX2	✓	✓	✓
TSAV47	stay arm DF/3 AX 30/13 lh.	standard	TSAV4302-...	TABLX1	✓	✓	✓
TSAV47	stay arm DF/3 AX 30/13 rh.	standard	TSAV4301-...	TABLX1	✓	✓	✓
TBEV41	bottom hinge AX 30/13 lh.	standard	TBEV4022-...	TABLX1;TABLX2	✓	✓	✓
TBEV41	bottom hinge AX 30/13 rh.	standard	TBEV4021-...	TABLX1;TABLX2	✓	✓	✓
TBEV43	bottom hinge DF/3 AX 30/13 lh.	standard	TBEV4122-...	TABLX1	✓	✓	✓
TBEV43	bottom hinge DF/3 AX 30/13 rh.	standard	TBEV4121-...	TABLX1	✓	✓	✓
TKEL41	cover cap EL AX 30 lh.	standard	TKEL4032-...		✓	✓	✓
TKEL41	cover cap EL AX 30 rh.	standard	TKEL4031-...		✓	✓	✓
TBEB41	corner hinge AX 13 lh.	standard	TBEB4002-...		✓	✓	✓
TBEB41	corner hinge AX 13 rh.	standard	TBEB4001-...		✓	✓	✓
TMZV41	accessories AX 30 A2400	standard	TMZV4050-...		✓	✓	✓
ZRZM01	frame part MV 13 A1940	meshed	873427		✓	✓	✓
ZFMV01	sash part MV conc. with groove ..	standard	TFMV0020-...		✓	✓	✓
TSAV51	stay arm TBT sz 1 AX 30/13 lh.	standard	TSAV4252-...	TABLX1;TABLX2	✓	✓	✓
TSAV51	stay arm TBT sz 1 AX 30/13 rh.	standard	TSAV4251-...	TABLX1;TABLX2	✓	✓	✓
TSAV52	stay arm TBT sz 2+3 AX 30/13 lh.	standard	TSAV4262-...	TABLX1;TABLX2	✓	✓	✓
TSAV52	stay arm TBT sz 2+3 AX 30/13 rh.	standard	TSAV4261-...	TABLX1;TABLX2	✓	✓	✓
TSAV54	stay arm TBT sz 4 AX 30/13 lh.	standard	TSAV4272-...	TABLX1;TABLX2	✓	✓	✓

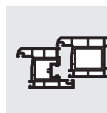


Fittings

Code	Description		Material number	Jigs	TAF	TIP	FAV
Hinge side parts axxent 24+							
TSAV54	stay arm TBT sz 4 AX 30/13 rh.	standard	TSAV4271-...	TABLX1;TABLX2	✓	✓	✓
TSAV55	stay arm TBT sz 5 AX 30/13 lh.	standard	TSAV4282-...	TABLX1;TABLX2	✓	✓	✓
TSAV55	stay arm TBT sz 5 AX 30/13 rh.	standard	TSAV4281-...	TABLX1;TABLX2	✓	✓	✓
PS / PSK							
PMRL	frame parts PSK 200-Z A2400		714904		✓	✓	✓
PHZL	coupling bracket		not necessary		✓	✓	✓
PRTL	distance piece PSK A2040		PRTL4080-...		✓	✓	✓
PRZJ	acc. PSK COMFORT add.brake PVC		PRZJ0020-...		✓	✓	✓
Ventilation and building technology							
LFLA	AEROMAT mini, standard	standard	L4210100-...	LBLAKF	✓	✓	✓

Jigs

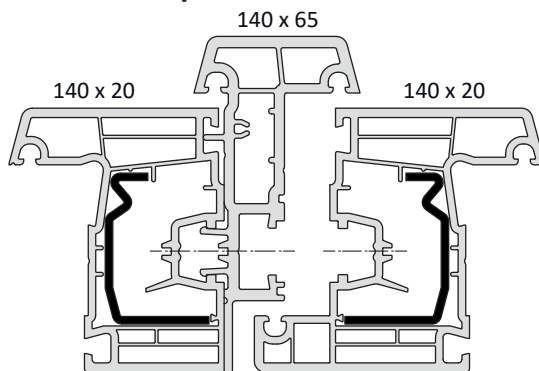
Code	Description	Material number	TAF	TIP	FAV
TABLSE	jig EL/SL 12/20-..	TABLO090-...	✓	✓	
FABLSE	jig EL/SL 12/20-..	157107			✓
TABLEB	jig EB 12/20-13	TABLO170-...	✓	✓	✓
FABLEB	jig EB 12/20-13	154991			✓
FABLRS	jig SL RB 12/20-..	157008	✓	✓	✓
TABLRB	striker jig RB 12/..-..	TART0130-...	✓	✓	
TARTES	striker jig standard 12/..-..	TART0010-...	✓	✓	
TABLX1	jig EL/SL AX 30 12/..-13	TABLO460-...	✓	✓	
TABLX2	jig BS EL/SL AX 30 12/..-13	TABLO470-...	✓	✓	
FABLDZ	jig DZB 3-sash DG 12/20-9	156155	✓	✓	✓
FABLD1	jig DZB 3-sash DF 12/20-9	156162	✓	✓	✓
FAASAK	stop angle KFB	154434	✓	✓	✓
FABBBB	drill jig bush R 3,1/6x20 12/..-..	157169	✓	✓	✓
FABLFP	jig tilt only security stay 12/..-9	157985	✓	✓	✓
LBLAKF	jig AEROMAT timber/PVC	L4210080-...	✓	✓	✓



Secondary sash constructions

Secondary sash profile version 1

Profile section for slave material 140023 / 140065



More valid slave materials for this profile section on request.

Fittings

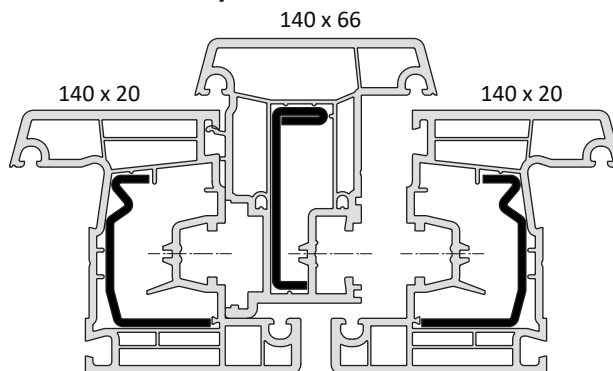
Code	Description		Material number	TAF	TIP	FAV
FFKR01	shoot bolt VSO A2000	standard	701195	✓	✓	✓
FFKR03	short shoot bolt A2000		716236	✓	✓	✓
FFKR02	shoot bolt VSU A2000	standard	701126			✓
FRSA01	striker plate A2000	standard	711873	✓	✓	✓
TRSA01	striker plate 56 A2000	standard	TRSB0030-...	✓	✓	✓
TRSA11	striker plate S-RS A2000	standard	TRSK0700-...	✓	✓	
FRZV01	striker V A2400	standard	709801	✓	✓	✓
FRZB01	snapper A2000	standard	709313	✓	✓	✓
FFHU01	sleeve for countersink 7mm	standard	708644	✓	✓	✓
TRFR11	frame part latch/bolt A2000 lh.	standard	TRFR2002-...	✓		
TRFR11	frame part latch/bolt A2000 rh.	standard	TRFR2001-...	✓		
TRFR11	frame part latch/bolt A2003 lh.	compression minus	TRFR0062-...	✓		
TRFR11	frame part latch/bolt A2003 rh.	compression minus	TRFR0061-...	✓		
TRFR21	frame part latch A2000	standard	TRFS2000-...	✓		
TRFR21	frame part latch A2003	compression minus	TRFS0120-...	✓		
FRSA02	striker plate A0767	standard	711736	✓	✓	✓
FRSC02	striker plate E A0767/3	standard	722930		✓	✓
FRZV02	striker V A2400	meshed	709801	✓	✓	✓
FRKS01	tilt striker plate A0767	standard	710258			✓
TRFR12	frame part latch/bolt A0767 lh.	standard	TRFR7672-...	✓		
TRFR12	frame part latch/bolt A0767 rh.	standard	TRFR7671-...	✓		
TRFR22	frame part latch A0767	standard	TRFS7670-...	✓		



Secondary sash constructions

Secondary sash profile version 2

Profile section for slave material 140x20 / 140x66

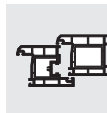


More valid slave materials for this profile section on request.

Fittings

Code	Description		Material number	TAF	TIP	FAV
FFKR01	shoot bolt VSO A2000	standard	701195	✓	✓	✓
FFKR03	short shoot bolt A2000		716236	✓	✓	✓
FFKR02	shoot bolt VSU A2000	standard	701126			✓
FRSA01	striker plate A2000	standard	711873	✓	✓	✓
TRSA01	striker plate 56 A2000	standard	TRSB0030-...	✓	✓	✓
TRSA11	striker plate S-RS A2000	standard	TRSK0700-...	✓	✓	
FRZV01	striker V A2400	standard	709801	✓	✓	✓
FRZB01	snapper A2000	standard	709313	✓	✓	✓
FFHU01	sleeve for countersink 7mm	standard	708644	✓	✓	✓
TRFR11	frame part latch/bolt A2000 lh.	standard	TRFR2002-...	✓		
TRFR11	frame part latch/bolt A2000 rh.	standard	TRFR2001-...	✓		
TRFR11	frame part latch/bolt A2003 lh.	compression minus	TRFR0062-...	✓		
TRFR11	frame part latch/bolt A2003 rh.	compression minus	TRFR0061-...	✓		
TRFR21	frame part latch A2000	standard	TRFS2000-...	✓		
TRFR21	frame part latch A2003	compression minus	TRFS0120-...	✓		
FRSA02	striker plate A0767	standard	711736	✓	✓	✓
FRSC02	striker plate E A0767/3	standard	722930		✓	✓
FRZV02	striker V A2400	meshed	709801	✓	✓	✓
FRKS01	tilt striker plate A0767	standard	710258			✓
TRFR12	frame part latch/bolt A0767 lh.	standard	TRFR7672-...	✓		
TRFR12	frame part latch/bolt A0767 rh.	standard	TRFR7671-...	✓		
TRFR22	frame part latch A0767	standard	TRFS7670-...	✓		

More slave profile versions on request.



Important notice

The abovementioned specifications as well as the resulting combinations of both hardware and profile system have not yet been tested. We therefore cannot be held liable for the completeness and correctness of the specifications. Any liability on our part on the basis of intent or gross negligence is not thereby excluded.